



TECHNICAL DATA

TYPE

CORTO LED is the reflector that achieves the most advanced result in industrial, sporting and large area lighting. Human centric Lighting (Lighting applications that focus on human wellbeing) Aesthetically pleasing and energy-saving light that lasts in time.

CHARACTERISTICS

Chip: Lumileds 2835 70Ra

Nomial efficacy: 160 lm/W

Lifetime L90B10:>50,000 hours

Luminous flux tolerance <+/-3%

Values may be subject to change du LED binning.

High efficiency Ra>80 LED,

MATERIAL

Die-cast aluminium, Transparent 4mm

tempred-Glass

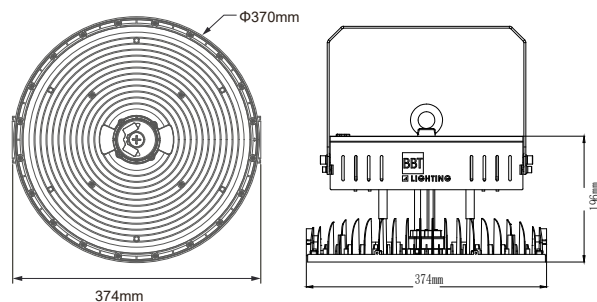
Aluminum frame

Steel Galvanized and painted bracket.

| | | |
|---------------------|----------|---------------|
| PRO | CRI ≥ 80 | |
| IP65 | | 90° |
| 100-277V 50/60Hz | | 50000h L70 |

| | |
|--------------------|------------------------------------|
| Model: | Corto |
| Format: | Round |
| Location: | Interior/Exterior |
| Wattage: | 3POWER: 300W - 400W - 500W |
| Materials: | ALUMINUM |
| Led Color: | 3CCT: 3000K - 4000K - 5000K |
| Product Dimension: | ø370*196mm |
| IP Code: | 65 |
| Fixation: | Surface |
| CRI : | 80 |
| Lumen Output: | 48000LM - 64000LM - 80000LM |
| Frequency: | 50/60 Hz |
| Beam Angle: | 90° |
| Net Weight: | 7.6kgs |

DIMENSION DRAW



INDOOR / OUTDOOR